

Rose Spray For Hospital Scrub Sink Spouts



flow, stop and go®

Features and Benefits

- ▶ Solid Brass.
- ▶ Pressure compensating for water and energy conservation (excluding full flow model).
- ▶ For spray coverage with two concentric sprays.
- ▶ Consistent non-splashing spray pattern thanks to flow regulation.
- ▶ Compatible with all spouts with 3/8" threads.

Certifications

ANSI / NSF 61
Meets ASME A112.18.1M and CSA B125 requirements

Dimensions

No	mm	Tolerance	In	Tolerance
A			3/8"	- 18 NPT
B	9.53	+ 0.38 / - 0.38	0.375	+ 0.15 / - 0.15
C	29.85	+ 0.51 / - 0.51	1.175	+ 0.20 / - 0.20
D	34.90		1.37	

Materials

No	Name	Material
1	Body	Chrome plated brass
2	Spray face	Acetal
3	MR05	Acetal

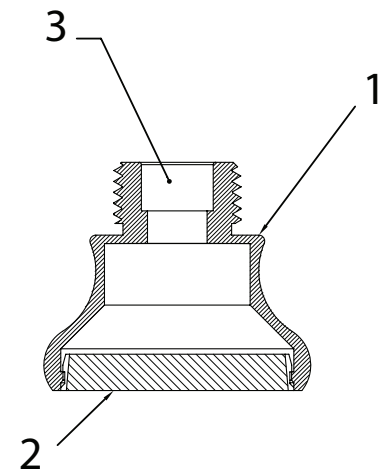
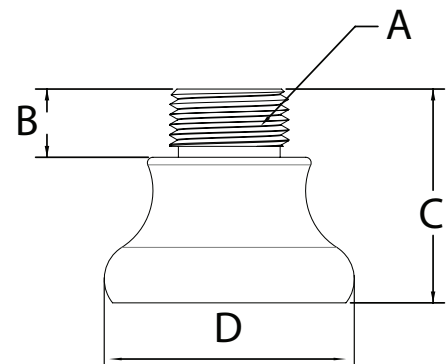
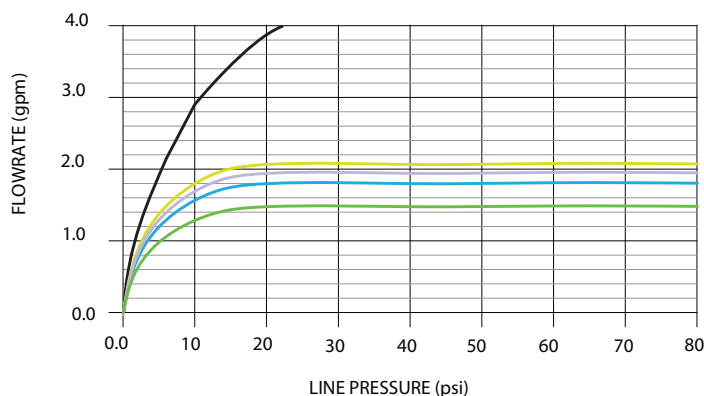
Options Available

Part #	Description
30 041	1.5 gpm - Green flow regulator
30 042	1.0 gpm - Light blue flow regulator
30 043	1.5 gpm - Lilac flow regulator
30 044	1.75 gpm - Yellow blue flow regulator

Packaging:

1pc (bag)

Flow Rate Curve



Technical Data

Wetted surface area:

(All flow rates) 7306.5 mm²

Continuous

Short-term (5 minutes max.)

